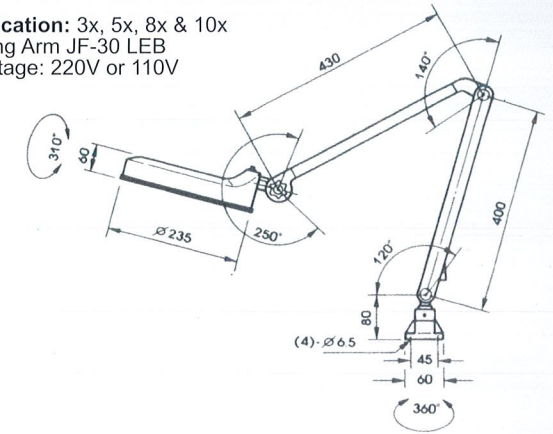


OPUS

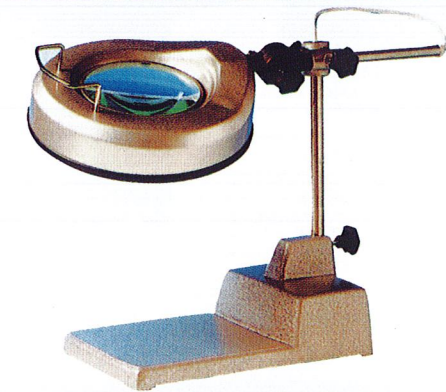
OPUS Magnified Work Light



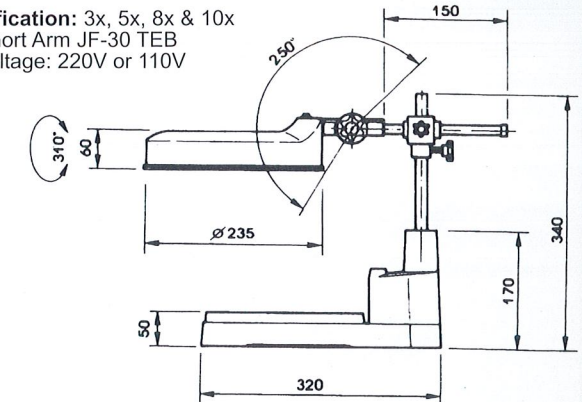
- Magnification:** 3x, 5x, 8x & 10x
- Long Arm JF-30 LEB
 - Voltage: 220V or 110V



OPUS Magnified Work Light



- Magnification:** 3x, 5x, 8x & 10x
- Short Arm JF-30 TEB
 - Voltage: 220V or 110V



OPUS Zoom Microscope



- Magnification = 7X – 40X (80x & 160x)**
- Zoom range from 7X – 40X
 - Interchangeable eye piece 10X & 20X
 - Maximum magnification from 7X – 160X with option 2X objective lens

Eye Piece	Magnification
10X	7X – 40X
20X	14X – 80X

- Model = OP – XTL – 4
- Zoom ratio = 0.7 to 4.0
- Total Magnification = 7X to 160X
- Field of view = 27.1 – 4.8mm
- Working distance = 80mm

OPUS Zoom Microscope



- Magnification = 6.5X – 45X (13x & 90x)**
- Zoom range from 6.5X – 45X
 - Interchangeable eye piece 10X & 20X
 - Maximum magnification from 6.5X – 90X

Eye Piece	Magnification
10X	6.5X – 45X
20X	13X – 90X

- Model = OP – SZM – 4
- Zoom ratio = 0.65 to 4.5
- Total Magnification = 6.5X to 45X
- Working distance = 80mm